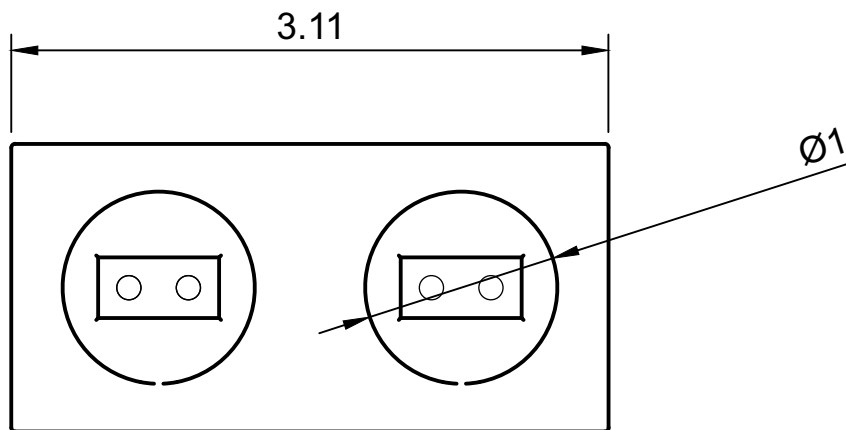
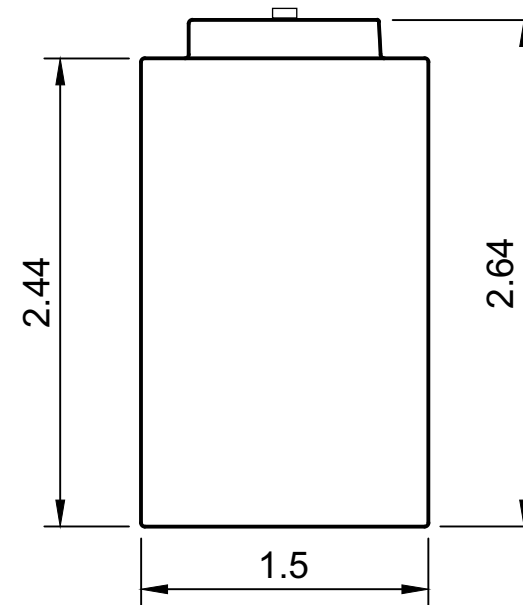
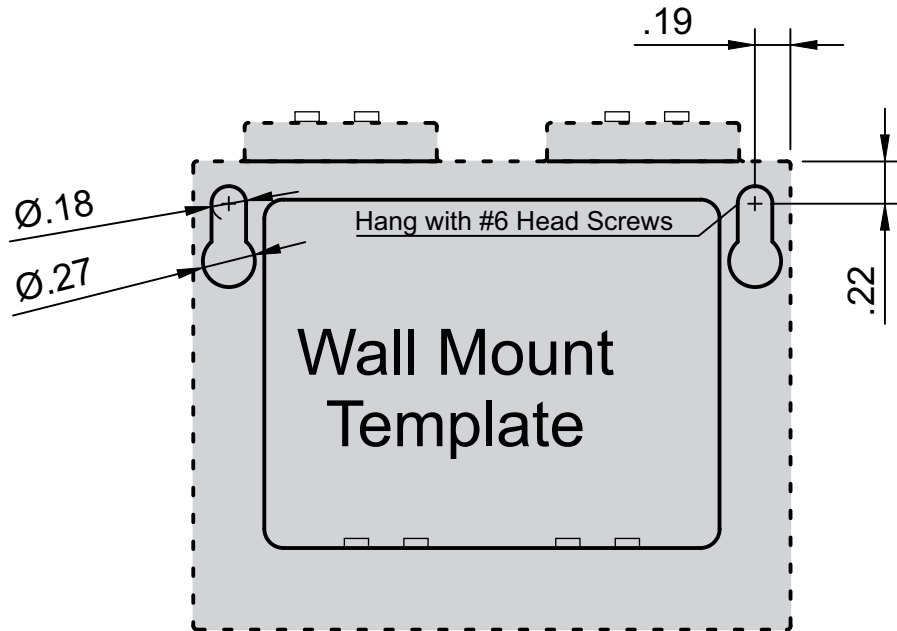


Minifig Display Bricks

(Dimensions are in Inches)



Mounting Instructions

Cut out grey Wall Mount template and use template to determine mounting hole placement.

If you are using multiple Display Bricks interlocked together, it is not necessary to wall mount all of them individually because they can hold each other.

Find this and other lego solutions at:
<https://www.cleanyourcraft.com/store/lego>